



Type needle valves with soft seat types are designed for use in applications requiring complete isolation or throttling of the media and for high pressure instrument lines. Ideal for use on gas services and some liquid applications. Specially designed Delrin needle tip (stem type DS) rolled into the stem assembly in perfect location for positive bubble tight shut-off. Available with end connections in sizes from 1/8" to 1" and a wide choice of female screwed, male to female screwed or socket weld.

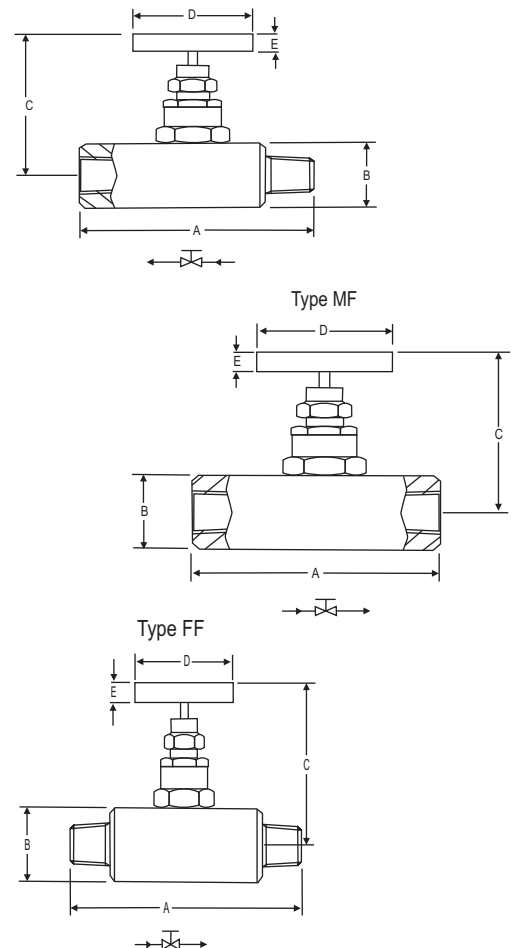
#### Applications

- Instrument line shut off
- Instrument isolation
- Drain valve
- Specially designed for gas service and liquid applications

#### Technical specifications

Design Pressure	: 6000 PSI
Max temp.	: 100°C
Material	: Stainless steel
Stem	: (DS)Delrin Soft Needle Tip rolled into the needle
Gland Packing	: PTFE
Stem packing area	: Burnished finish for smooth valve operation.
Safety Feature	: Back seating for preventing stem blowout.

Size	Type	Length	Width	Height (open)	Handle	Handle OD
		A	B	Max., C		
1/8"	FxF	50	25	65	40	10
	MxF	55	25	65	40	10
	MxM	60	25	65	40	10
1/4"	FxF	55	25	65	40	10
	MxF	65	25	65	40	10
	MxM	60	25	65	40	10
3/8"	FxF	55	25	65	40	10
	MxF	65	25	65	40	10
	MxM	65	25	65	40	10
1/2"	FxF	65	32	93.5	55	12.7
	MxF	75	32	93.5	55	12.7
	MxM	70	32	93.5	55	12.7
3/4"	FxF	70	38	93.5	55	12.7
	MxF	75	38	93.5	55	12.7
	MxM	80	38	93.5	55	12.7
1"	FxF	90	45	101	70	12
	MxF	105	45	101	70	12
	MxM	105	45	101	70	12



Notes : • Drawings are not to scale.  
• All Dimensions are in mm.

Note : Other combination sizes available on request.  
Please contact us for more details.

**How To Order**

Body Material	Stem Packing	Size = P x P1	Connections (inlet x outlet)	Threads
C = Carbon Steel	P = PTFE	24 = 1/4" x 1/4"	FF = Female x Female	N = NPT (ANSI B 1.20.1)
S = SS 316	G = Grafoil	33 = 3/8" x 3/8"	MF = Male x Female	P = BSPP (BS 2779, ISO 228/1)
S4 = SS 304		44 = 1/2" x 1/2"	MM = Male x Male	B = BSPT (BS 21, ISO 7/1)
SL = SS 316L		46 = 1/2" x 3/4"		
M4 = Monel 400		64 = 3/4" x 1/2"		
M5 = Monel 500		66 = 3/4" x 3/4"		
H = Hastelloy C				
B = Brass				

**Options**

<b>TF</b>	: Compliance to NACE standard
<b>SG</b>	: For Oxygen service, valves are supplied cleaned, degreased and suitably packed.
<b>GH</b>	: Material test certificate
<b>GO</b>	: Hydro test certificate

\* Material test certificate will be provided for wetted parts only with chemical composition testing. For others, please consult factory.

**Example**

To place an order simply refer to the codes in the table.

Valve Type Body Material + Stem Packing + Size + Connections + Threads + Options

GSV + S + P + 44 + MF + N = GSV . S . P . 44 . MF . N . Options

**Standard Valve Materials**

Valve	Body	Bonnet	Stem	Tip
Carbon Steel	CS A105	CS A105	SS 304	SS 304
Stainless Steel	SS 316	SS 316	SS 316	SS 316
Monel	Monel	Monel	Monel	Monel

Note : Specifications and dimensions given in this product catalogue represents the state of engineering at the time of printing .  
Modifications may take place and materials specified may be replaced by others without prior notice.